

Model: RPCF-1C Column Counterflashing

Standard Construction:

12ga. Galvanized steel construction, One or Two piece construction. Draw bolts for two-piece construction. Loose Plates. All welds are micro-sealed and prime painted after fabrication.

ONE PIECE TWO PIECE

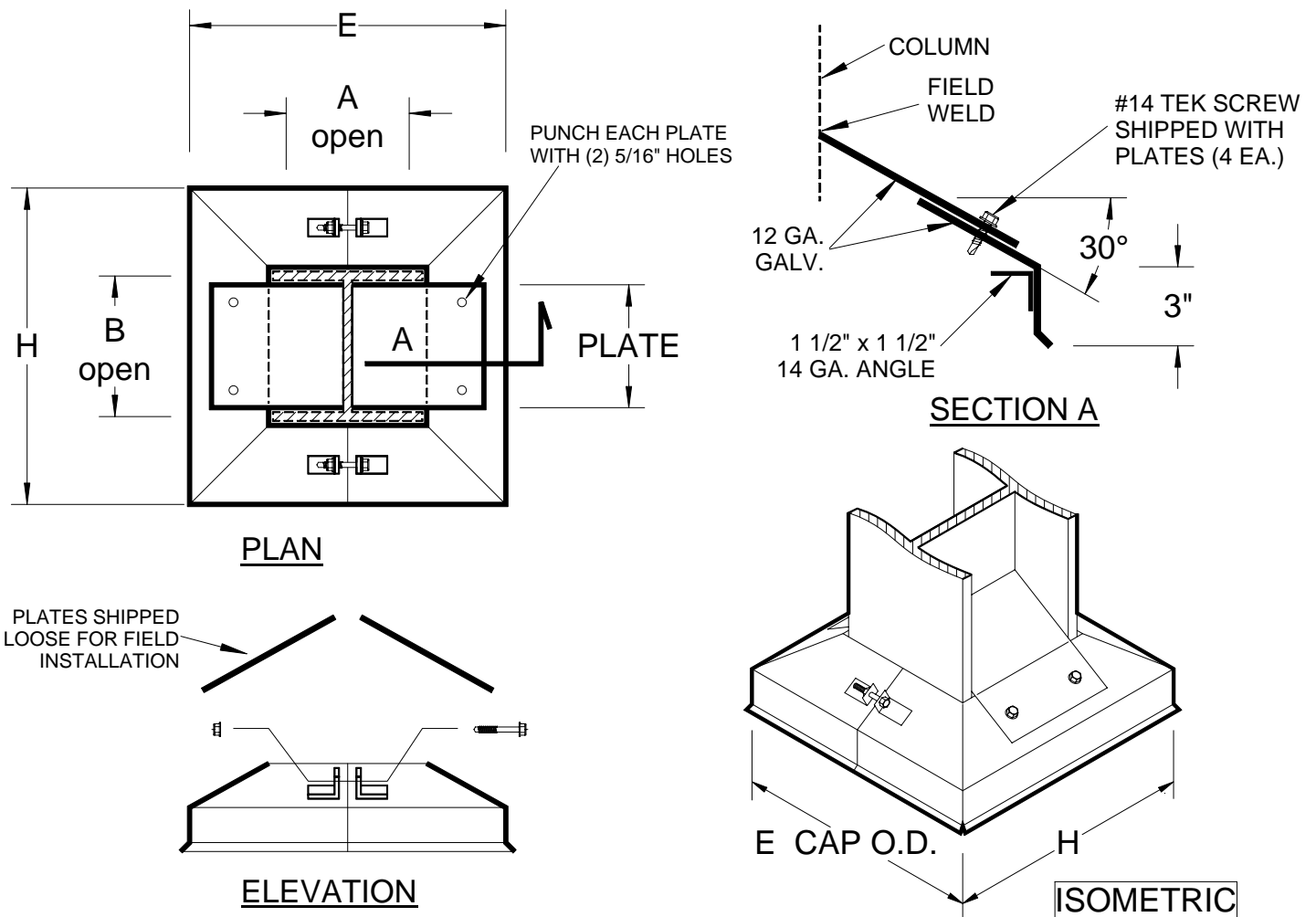
Added Options (When Required):

RPI Job #: -

Project: _____

Architect: _____

ADJUST LOOSE PLATES AND C/F TO COLUMN AND FIELD WELD. PAINTING IS RECOMMENDED.



Qty.	A (open)	B (open)	E	H	PLATE	Tag: