

Model: RPCF-1T Tubing Counterflashing

Standard Construction:

12ga. Galvanized steel construction, 20ga. Galv. optional.
One or Two piece construction. Draw bolts for two-piece construction. Cross Broken and Sloped for water run-off.
All welds are micro-sealed and prime painted after fabrication.

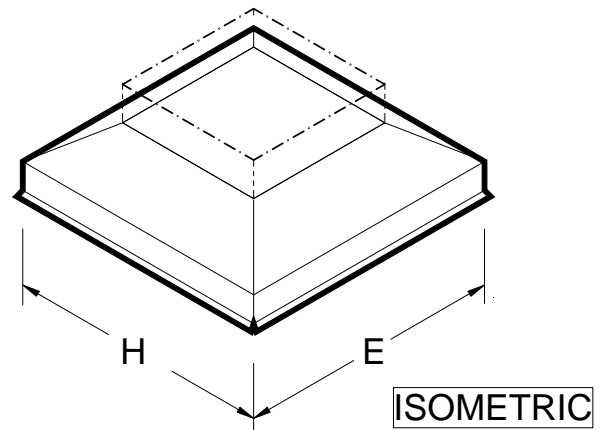
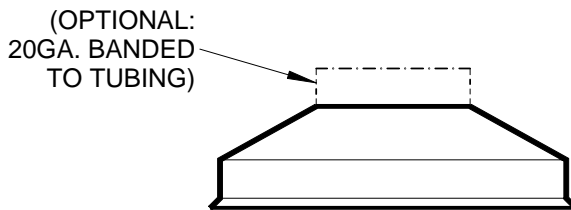
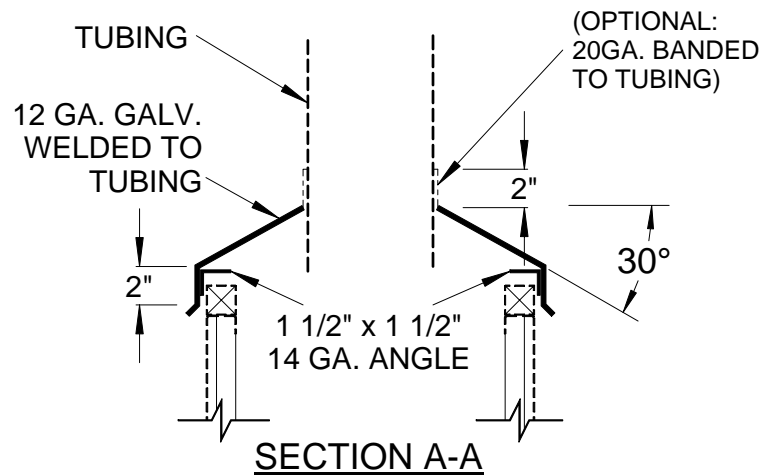
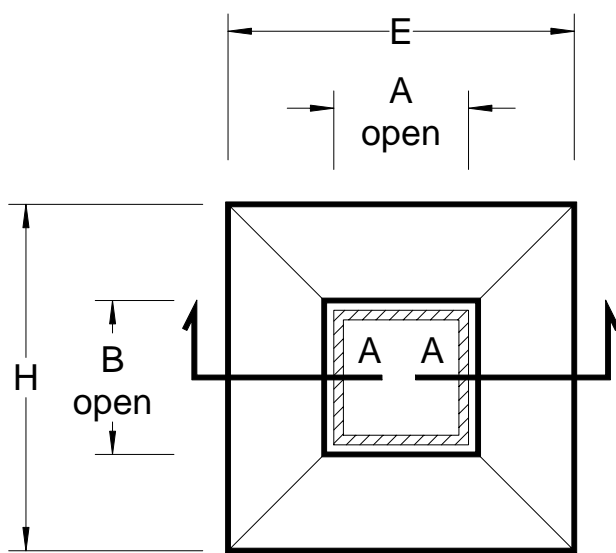
- ONE PIECE TWO PIECE
 12GA. GALV. 20GA. GALV.

Added Options (When Required):

RPI Job #: -

Project: _____

Architect: _____



Qty.	A (open)	B (open)	E	H	Tag: