

Model: RPCE-1 Insulated Curb Extension

Standard Construction:

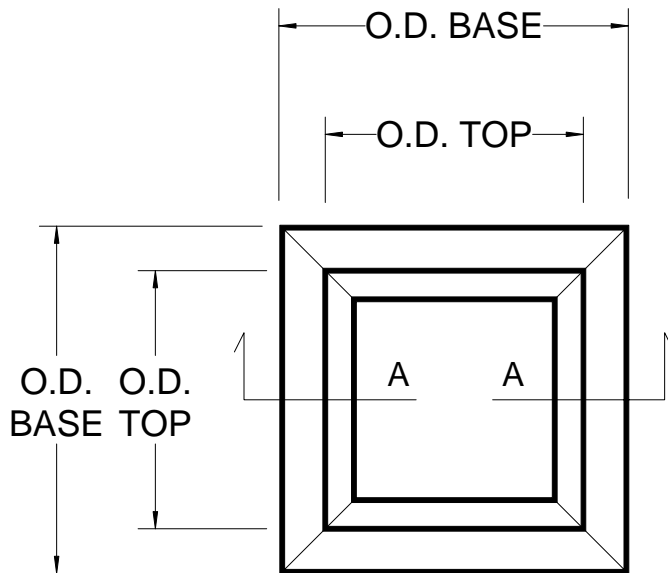
18ga. Galvanized construction, 1 1/2" 3# density insulation. All welds micro-sealed and prime painted after fabrication.

Added Options (When Required):

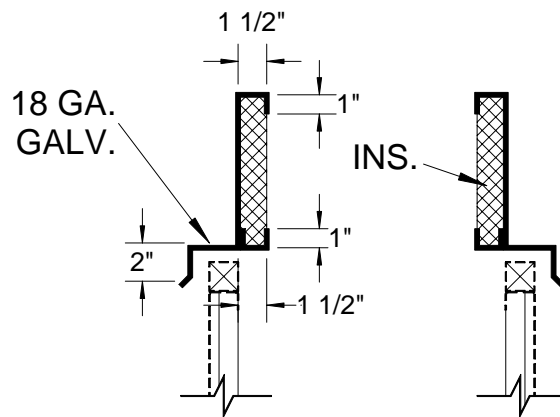
RPI Job #: -

Project: _____

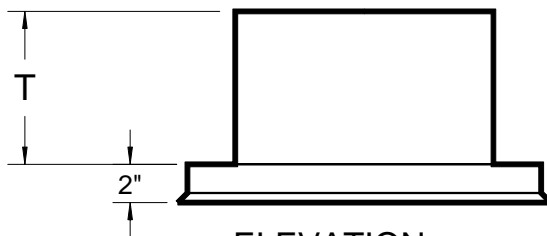
Architect: _____



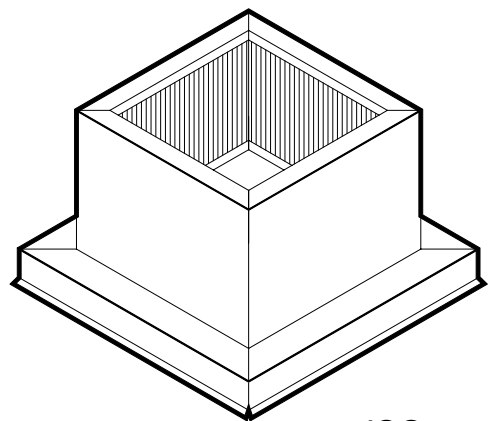
PLAN



SECTION A-A



ELEVATION



ISO

Qty.	O.D. BASE	O.D. TOP	T	Tag: