

## Model: RPVE-1 Vented Curb Extension

### Standard Construction:

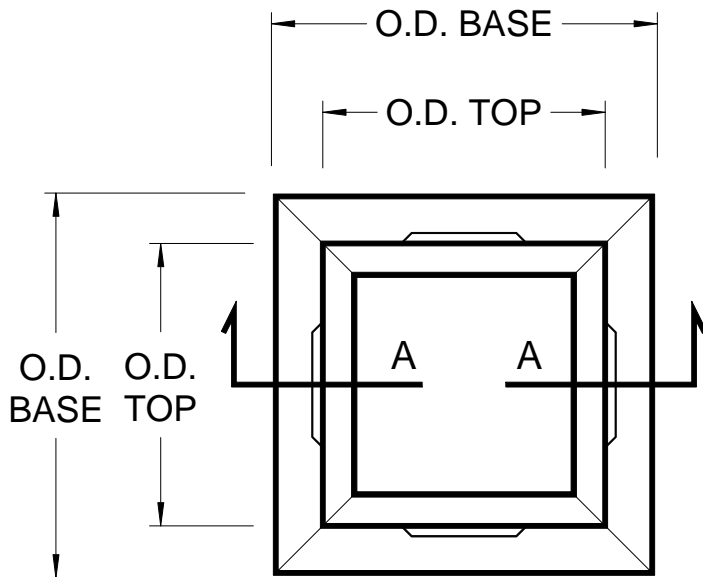
18ga. Galvanized construction with insect screens at louvers. All welds are micro-sealed and prime painted after fabrication

Added Options (When Required):

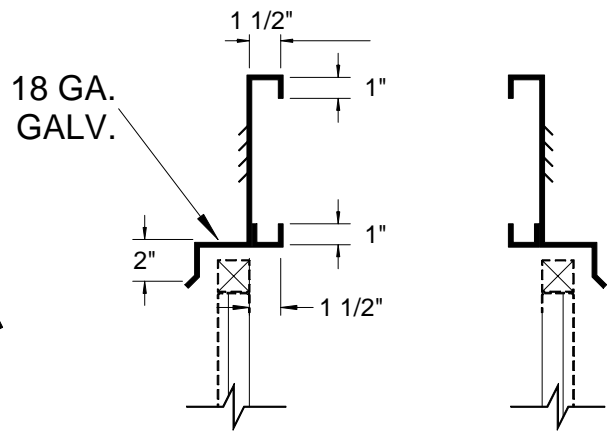
RPI Job #: -

Project: \_\_\_\_\_

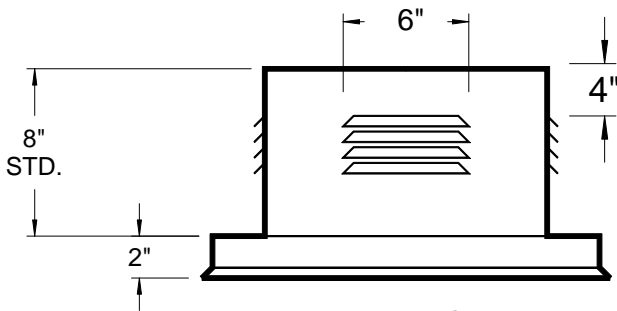
Architect: \_\_\_\_\_



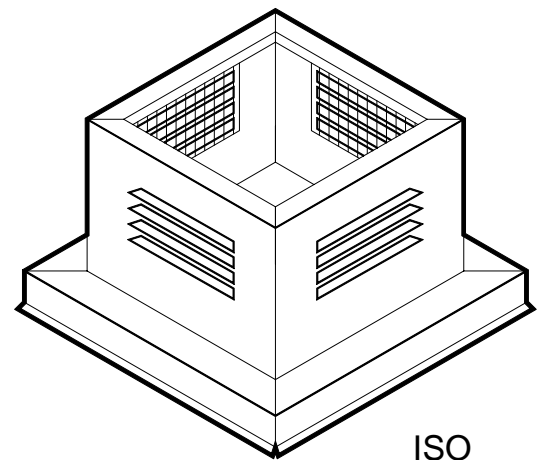
PLAN



SECTION A-A



ELEVATION



ISO

Qty.	O.D. BASE	O.D. TOP	Tag: